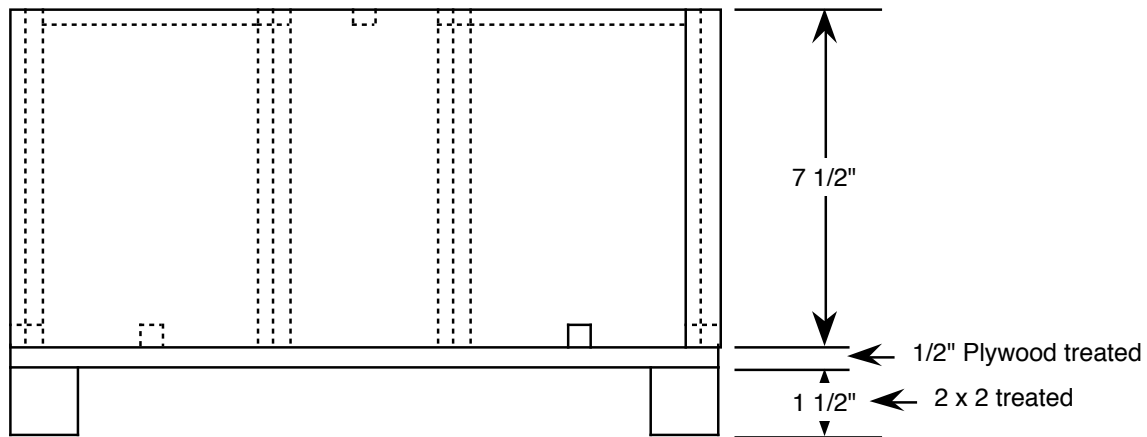
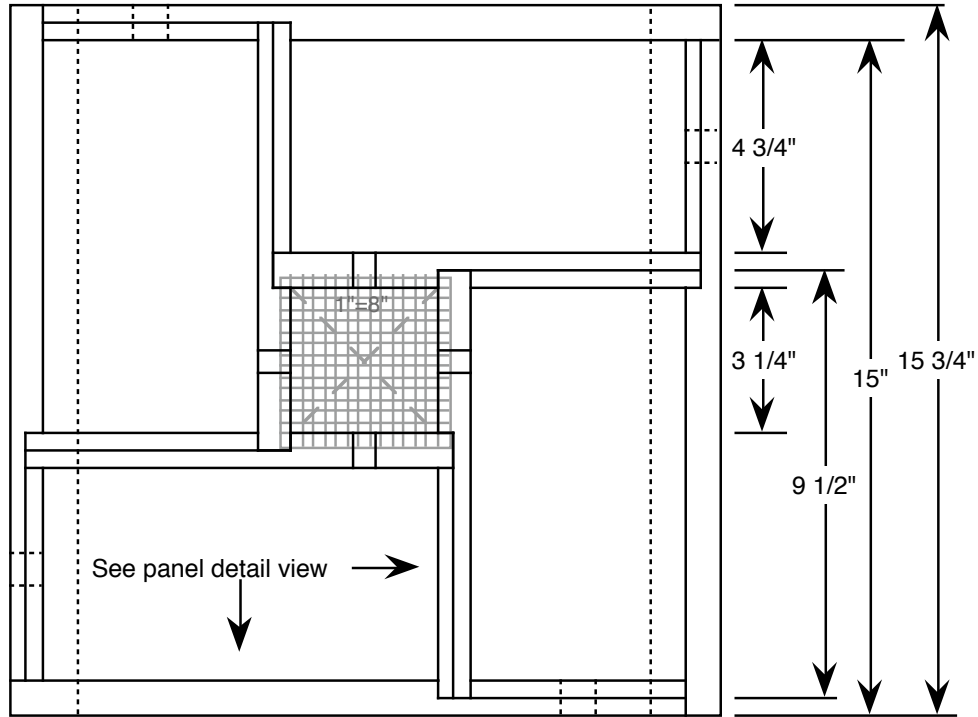


scale - 1"=4"

# 4X4 Mini Mating Nuc 1 of 3

Designed to hold medium frames (6-1/8") cut in half.

Drawn by Gary S. Reuter  
University of Minnesota  
Dept. of Entomology  
10-20-02



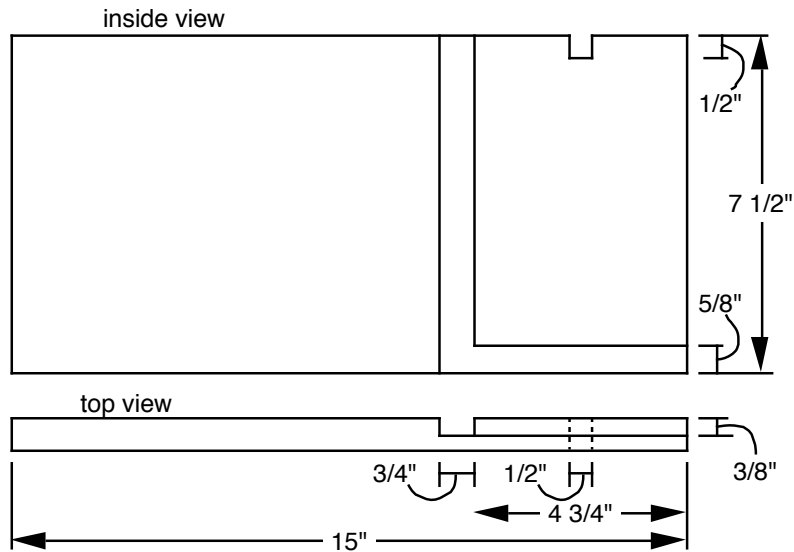
scale - 1"=4"

# 4X4 Mini Mating Nuc 2 of 3

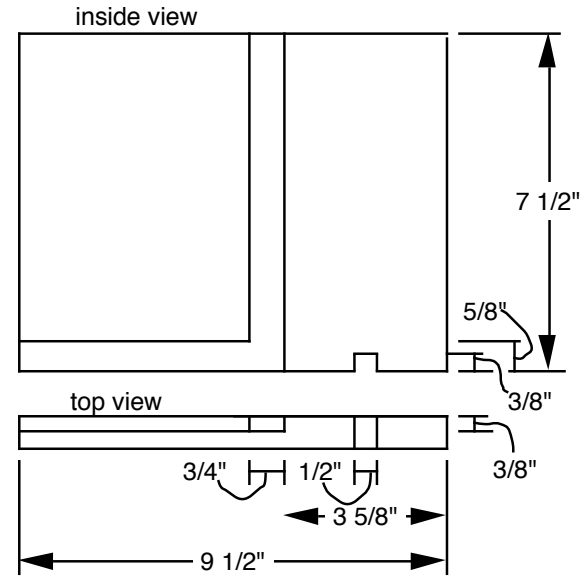
Detail drawings

Drawn by Gary S. Reuter  
University of Minnesota  
Dept. of Entomology  
10-20-02

outside panel



inside panel



4 - 1/4" x 3-7/8" x 6-1/2" inner covers  
(Masonite or plywood)

## Material List

### #2 pine

- 4 - 3/4 x 7-1/2 x 15
- 4 - 3/4 x 7-1/2 x 9-1/2
- 4 - 3/4 x 2-1/2 x 17

### plywood

- 1 - 1/2 x 15-3/4 x 15-3/4
- 1 - 1/2 x 16-1/4 x 16-1/4

### hardboard

- 4 - 1/4 x 3-7/8 x 6-1/2

### treated lumber

- 1 - 1-1/2 x 1-1/2 x 15-3/4

### Flashing

- 1 - 18 x 18

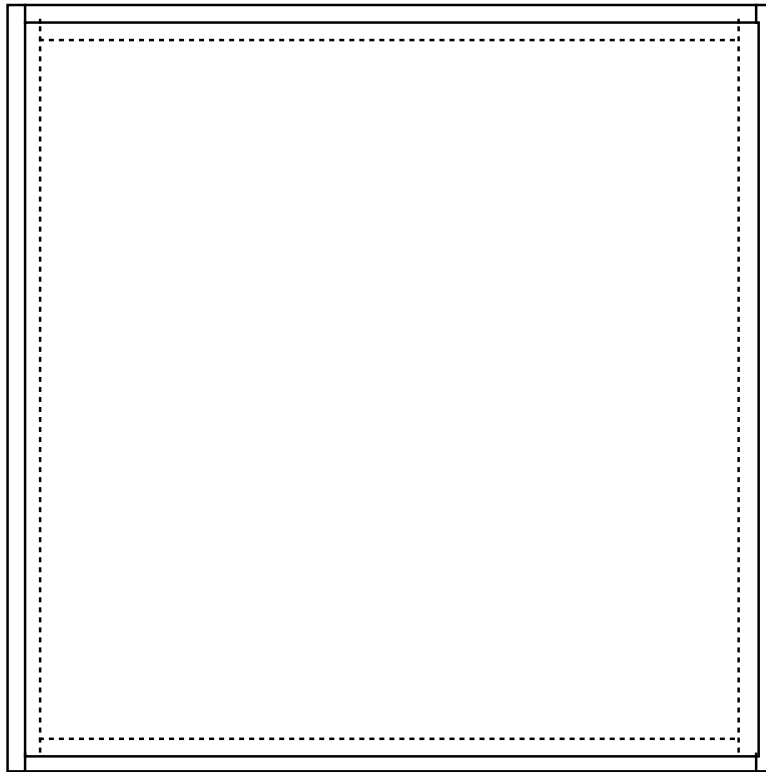
scale - 1"=4"

# 4X4 Mini Mating Nuc 3of 3

Outer Cover

Drawn by Gary S. Reuter  
University of Minnesota  
Dept. of Entomology  
10-20-02

All lumber is 3/4" unless  
indicated otherwise



## Notes

1. Top is 1/2" plywood.
2. Top and 1/2" down all sides is covered with aluminum flashing. (not shown)
3. Corner rabbets are 3/8" x 3/8"
4. Top rabbets are 3/8" x 1/2"
5. Plywood top fits into 1/2" rabbets
6. Typical corner joint



1/2" plywood top 16-5/16" x 16-5/16"

